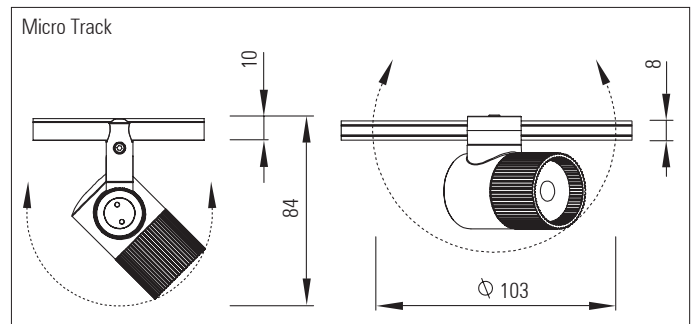
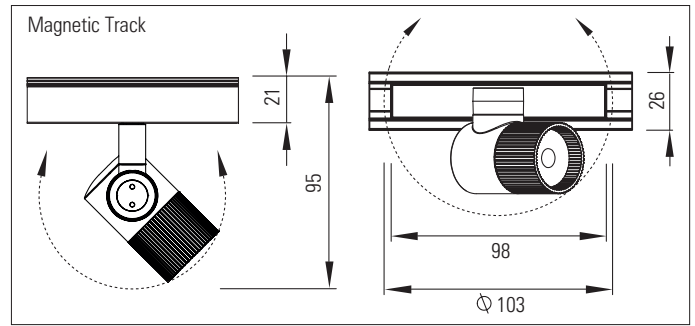


Mini LED Spotlight

Interior 4 Watt LED Spotlight



Mini Spotlight IP20

Miniature interior LED spotlight with either LV Micro Track, LV Magnetic Track or surface mount base

Product description:

4 Watts

Each spotlight comprises 1 x Cree XP-E, XP-G, XP-L or XHP35.2 LED with a Ledil Emily or Heidi lens

A wide range of LED colour temperature and CRI options are available. Various beam angle options are available

Spotlight is rotatable in two axes

The spotlight can be used with Radiant's Micro Track, which is one of the smallest section low voltage tracks available

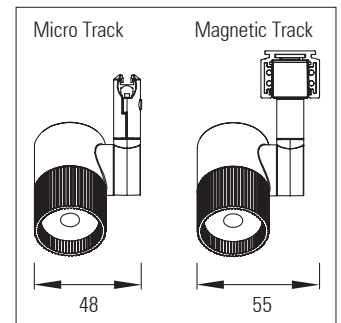
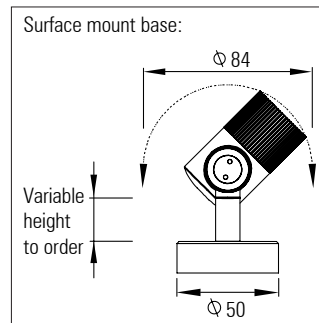
Alternatively a low voltage magnetic track can be used, which allows easy installation and movement of the spotlights on-site

The magnetic track has separate track circuits for low voltage power and dimming ensuring excellent dimming control with all protocols

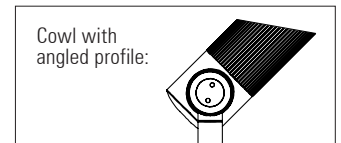
Integral DC to DC LV driver with remote 12 or 24V PSU. A remote driver can be used instead, depending on project requirements.

Various dimming options available: 1 - 10, DALI, DMX

Satin black, satin white or any RAL colour finish



LED / lens matrix	CREE XP-E LED with Emily lens
Diffused spot (D)	8°
Real spot (RS)	6°
Medium (M)	17°
Wide (W)	39°
Wide (WW)	46°
Wide (WWW)	69°
Elliptical (O)	45° x 10°



Up to 400 Lumens per spotlight

Product Code	IP	LED Type	Watts per spotlight	Colour Temp. (K)	CRI	Optics	Mounting type	Cowl	Finish
RAD LED SP MINI CREE IP20	20	Cree: XP-E XP-G XP-L XHP35.2	4 W	27=2,700k 30=3,000k 40=4,000k 45=4,500k 50=5,000k	80 90	See LED/ lens matrix above	Micro Track Magnetic Track Surface mount base	Custom cowl lengths on request Cowl with angled profile on request	Powder coat: Black White Any RAL colour